



ROAD CURB MACHINE

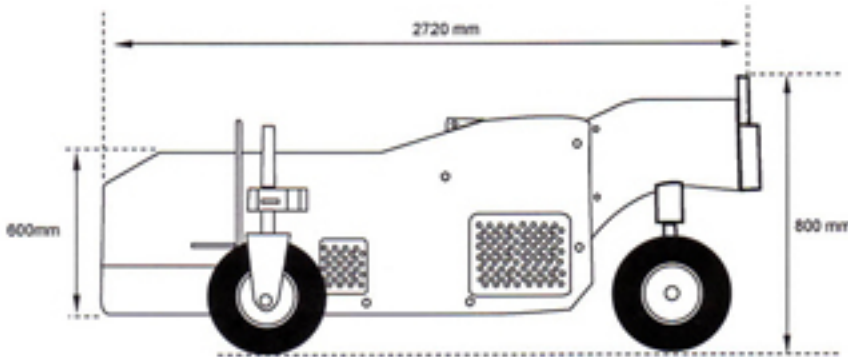


TW5000

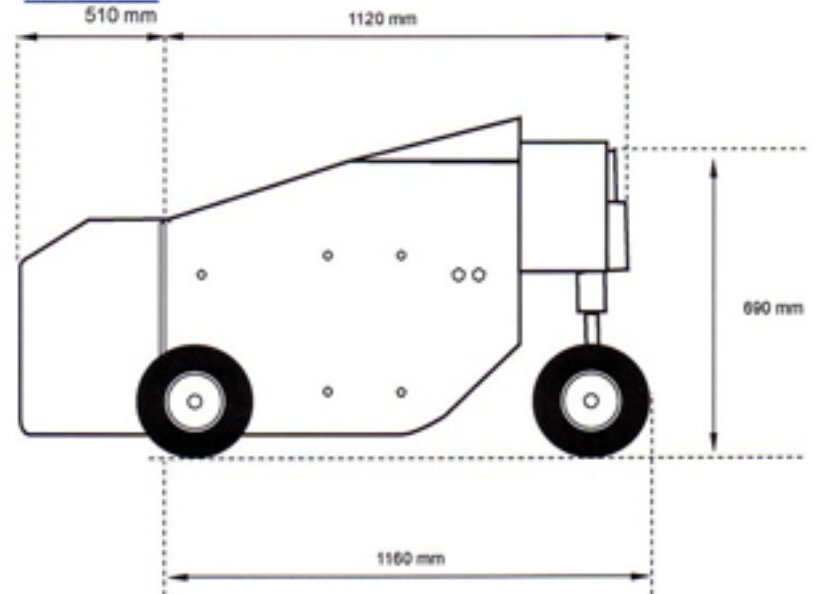
Technical Specification:

MODEL	TW5000	TW3500
Max. Mould Size	Width 600mm x Height 450mm	Width 450mm x Height 350mm
Extrusion Per Day	500 lin - mts	300 lin - mts
Engine	20 HP	13 HP
Reduction Box Worm Reduction Unit	50 : 1	60 : 1
Starter	Electric	Manual
Steering	Hydraulics	Hydraulics
Dimension (mm) (L x W x H)	2720 x 800 x 800	1670 x 800 x 690
Weight	1200kg	1000kg

TW5000



TW3500



Mould Shape for Road Curb Machine

