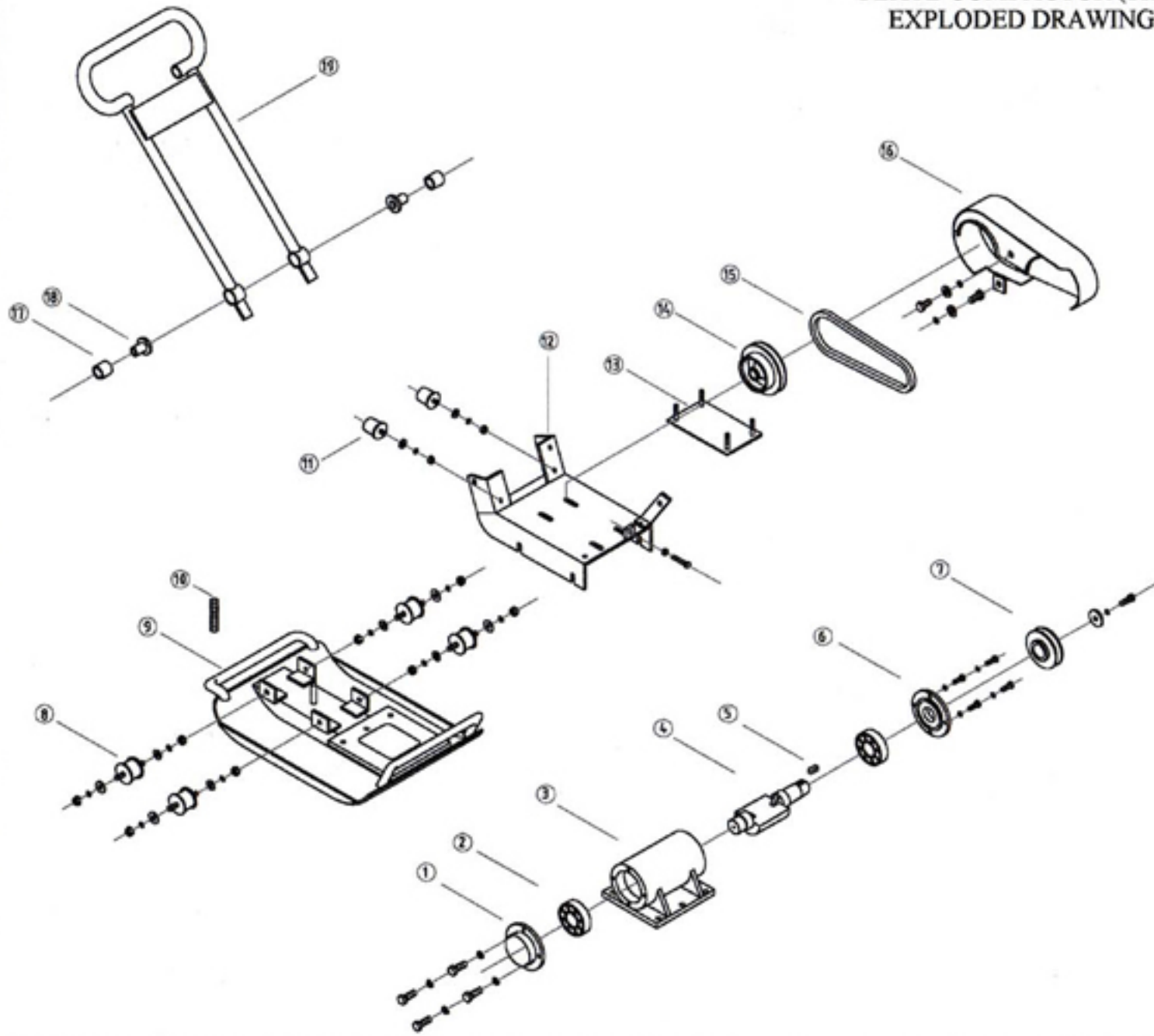


PLATE COMPACTOR (TKP-60)  
EXPLODED DRAWING



19	HANDLE	
18	HANDLE MTG.BUSH	
17	HANDLE MTG.RUBBER	
16	BELT COVER	
15	V-BELT	
14	CLUTCH PULLEY	
13	ENG. MTG.CLAMP	
12	ENG.MTG.BASE	
11	HANDLE STOP RUBBER	
10	ELEC.STATIC.SPRING	
9	BASE PLATE	
8	ENG.RUBBER MTG	
7	ROTOR PULLEY	
6	ROTOR COVER (PULLEY SIDE)	
5	KEY	M10×8×25lg
4	ROTOR SHAFT	
3	ROTOR HOUSING	
2	BEARING	6303 ZZ C3
1	ROTOR COVER	
REF.NO	DESCRIPTION:	SIZE: