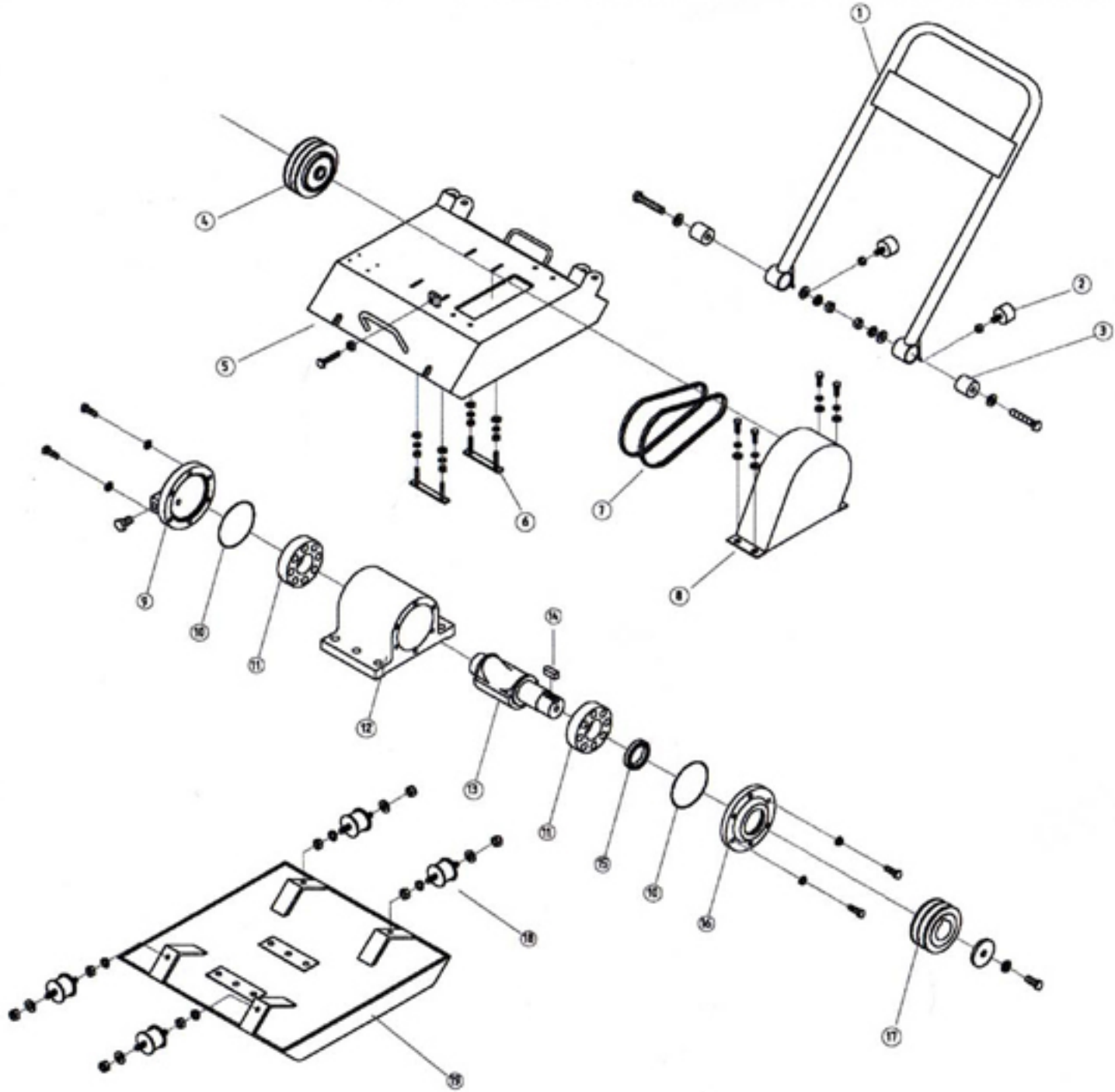


**PLATE COMPACTOR (TKL-80)
EXPLODED DRAWING**



19	BASE	
18	RUBBER MOUNTING	
17	ROTOR PULLEY	
16	ROTOR COVER (PULLEY SIDE)	
15	OIL SEAL	55x40x8
14	KEY	16x18x28
13	ROTOR SHAFT	
12	ROTOR HOUSING	
11	BEARING	6308 ZZ
10	O - RING	ø43
9	ROTOR COVER	
8	BELT COVER	
7	V-BELT	A27
6	ENGINE CLAMP	
5	ENGINE MOUNTING	
4	CLUTCH PULLEY	
3	HANDLE RUBBER BUSH	
2	HANDLE STOPPER RUBBER	
1	HANDLE	
REF. NO.:-	DESCRIPTION:	SIZE: